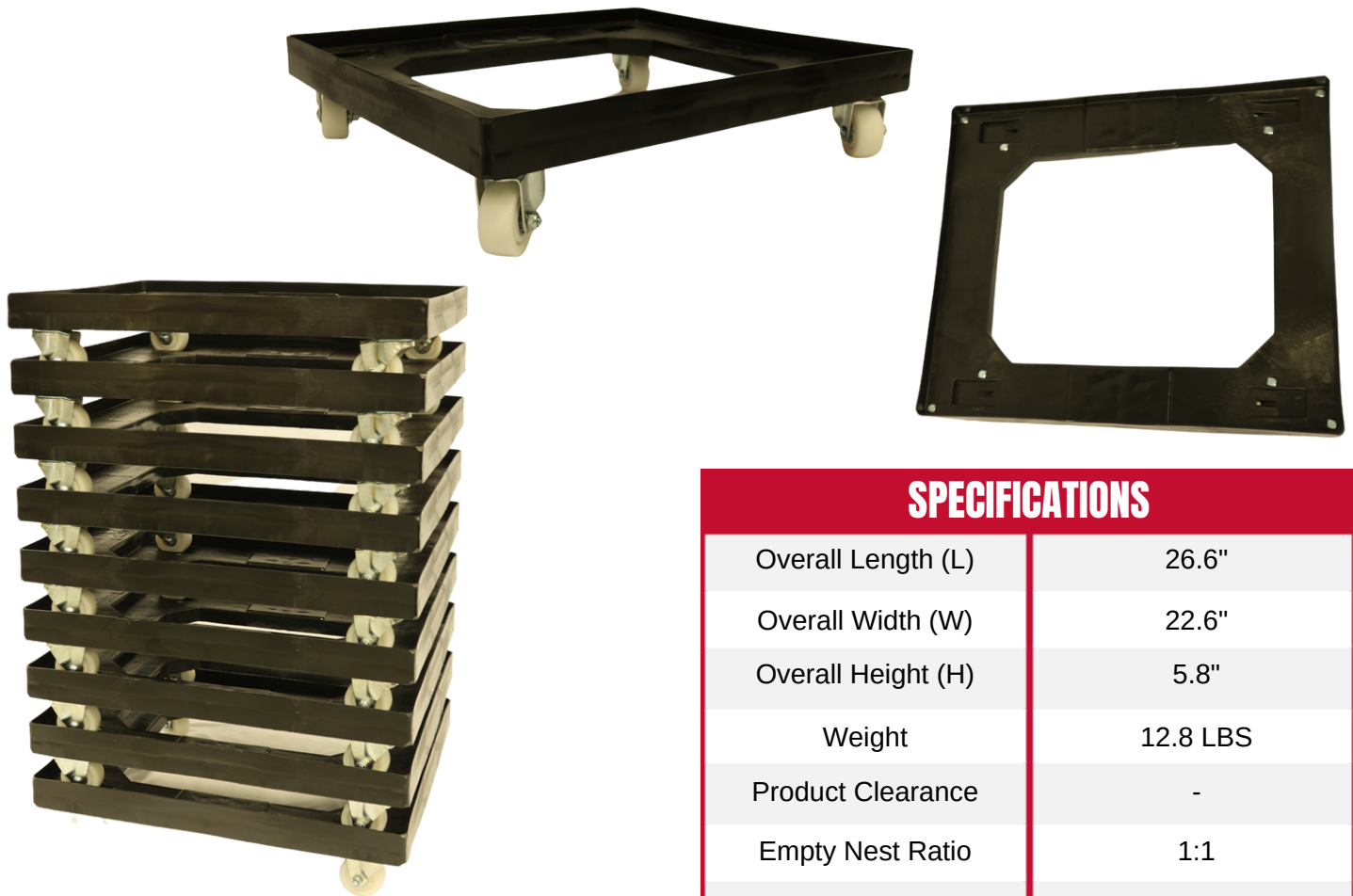


SPF# 2226



SPECIFICATIONS

Overall Length (L)	26.6"
Overall Width (W)	22.6"
Overall Height (H)	5.8"
Weight	12.8 LBS
Product Clearance	-
Empty Nest Ratio	1:1
TL QTY	1,426

ADVANTAGES & FEATURES

- Returnable/Reusable/Recyclable
- Made from durable 100% HDPE resin
- Improved sustainability for the circular economy
- FDA approved colors
- Ergonomic & lightweight designs
- Compatible with existing products in-use
- Molded-in or hot stamp logo options
- RFID or bar code label options
- Durable Casters & Hardware with optional caster upgrade
- Made in the USA

*Description of product is for sales purposes only.